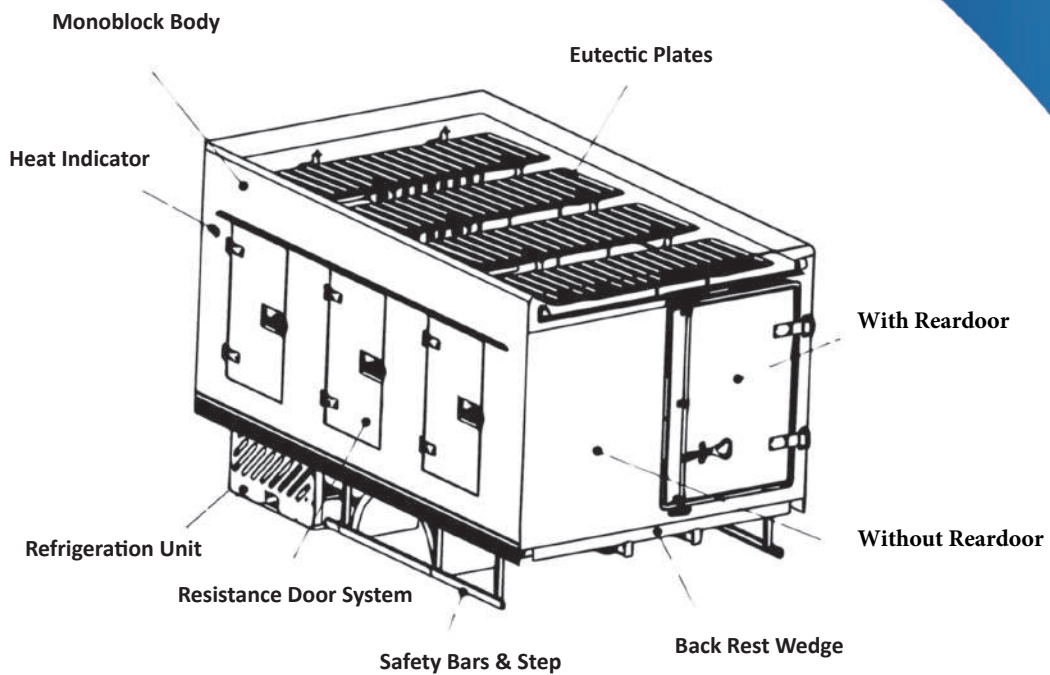




ICE TRUCK OTEKTİK





ICE TRUCK
OTEKTİK

ABOUT US

As Frigo transport, we are in a sector that develops with the right and solid steps we have adopted as a principle.

We are proud of having an important place in the sector in terms of both technical support and product supply with our belief in our services. Our company has succeeded in gaining the trust of its customers with a rational management and devoted work of its stable staff and has become able to provide faster and more successful service by providing a planned organisation growth.

Our company, which always thinks about the future, aims to satisfy its customers by offering the best quality and decently and honestly the most affordable price by prioritising customer satisfaction. The personnel working are highly specialised in their field and aim to provide quality and clean service. Raneli Frigo is becoming an industrial organisation that increases its market share and competitiveness day by day by offering products that will ensure the satisfaction of its customers without exception.

Our **MISSION** is to be a company that does not compromise on quality and trust in its services with its human and environmentally sensitive products that adapt to technological developments in the ice cream body, eutectic ice cream body and frigo body sector.

Our **VISION** is to provide the best quality and most economical solutions to our customers by closely following the constantly developing technology with our trained technical staff in the ice cream body, eutectic ice cream body, frigo body sector.

We have a wide range of customers with the **VALUE GIVEN TO PEOPLE**

OUR QUALITY POLICY

Because our company has been blessed with a wide variety of customers, from small tradesmen with only one vehicle to our customers who have fleets of hundreds of vehicles.

No matter who our customer is, he/she is welcomed and must be welcomed with the same interest and love.

PRODUCT QUALITY: Raneli Frigo, which makes product-oriented production, strives to offer the best quality product that can be produced to its customers at the most affordable price.

SERVICE FIRST: Every business activity is carried out for profit. Raneli Frigo is aware that it is necessary to provide service first and the profit will come later.

CONSISTENCY: It is difficult to provide all kinds of services and products to our customers with the same quality. But it is very proud for us to achieve this.

COMMITMENT: Our customers who have brought us to this position are always valuable to us.

CONFIDENCE: When our customers buy products from us, they come to us with full confidence that they do not examine or question the product they buy. They say that this company will not give me bad products and services. This is a good indication that we are a company with a high brand value.





ICE TRUCK
OTEKTİK

5 + 5 DOORS EUTECTIC BODY



Body Sizes	5250x2200x1700 h mm
Wall insulation thickness	100 mm
Side Door	A total of 10 side doors, 5 on each side, measuring 550x1000 h, with heat resistance to prevent icing
Back Door	Swing-type rear door with dimensions of 2000x1380 h opening to both sides
Refrigeration Unit	Semi-hermetic 5,5 Hp. 380V/50 Hz Dorin compressor. Three-stage refrigerant gas R404A. 7 units with cooling capacity of 19.727 Watt (-33°C solution) eutectic plate
Accessories	Interior lights, inner floor with rails for placing roll containers, steps under the side doors, water channels on the side doors, PVC profile under the side doors, external thermometer, rubber pads at the rear, mudguardsçamurluklar
Roll container	There are 10 in-body roll containers



Compressor

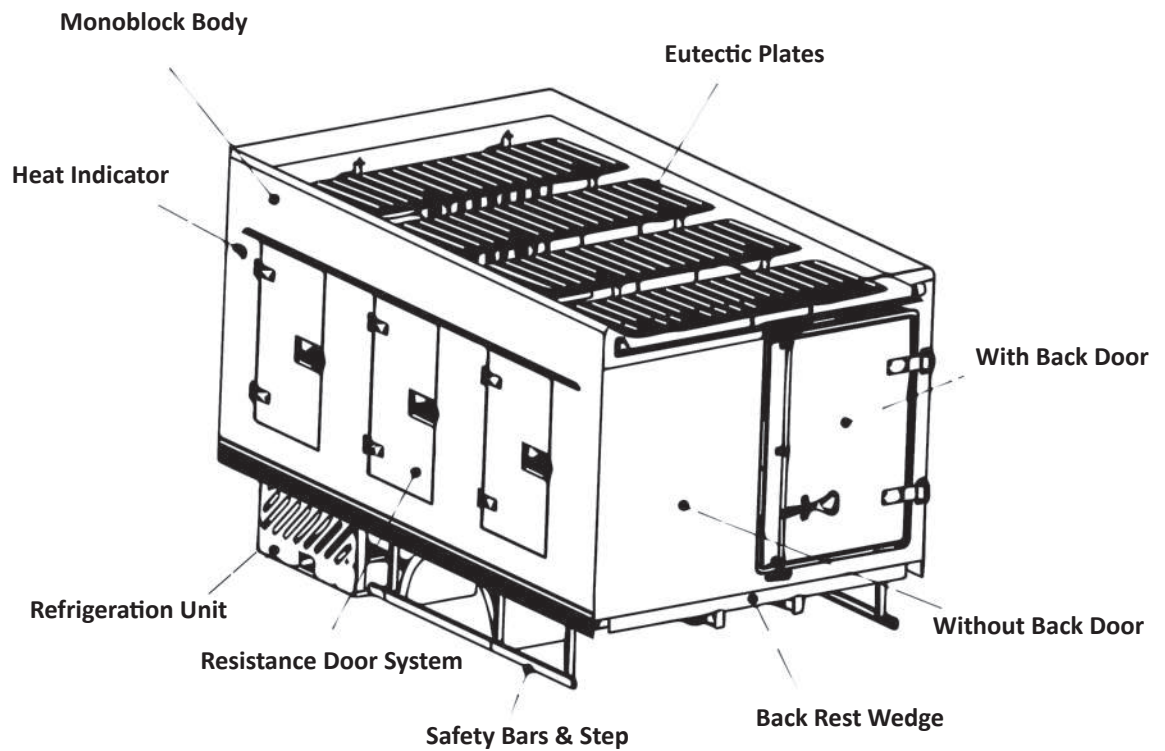


Eutectic Plate





ICE TRUCK
OTEKTİK



EUTECTICPLATE AND CONDENSED MOULD TECHNOLOGY

With the eutectic plate and condensed mould technology used in our systems, cold air is kept on the case for a longer time. In this way, the ambient temperature is maintained for a longer period of time, resulting in a significant saving in energy costs. The vehicle engine does not need to run during the day. Our systems contribute significantly to fuel and vehicle maintenance costs.

WITH SIDE DOORS AND EUTECTIC PLATES;

- ✓ More time, less staff
- ✓ More customers, less fuel
- ✓ More turnover, less cost



ICE TRUCK
OTEKTİK

4 + 4 DOORS EUTECTIC BODY



Body Sizes	4250x2200x1700 h mm
Wall insulation thickness	100 mm
Side Door	A total of 8 side doors, 4 on each side, measuring 550x1000 h, with heat resistance to prevent icing
Back Door	Swing-type rear door with dimensions of 2000x1380 h opening to both sides
Refrigeration Unit	Semi-hermetic 5,5 Hp. 380V/50 Hz Dorin compressor. Three-stage refrigerant gas R404A. 7 units with cooling capacity of 19.727 Watt (-33°C solution) eutectic plate
Accessories	Interior lights, inner floor with rails for placing roll containers, steps under the side doors, water channels on the side doors, PVC profile under the side doors, external thermometer, rubber pads at the rear, mudguardsçamurluklar
Roll container	There are 8 in-body roll containers



Compressor

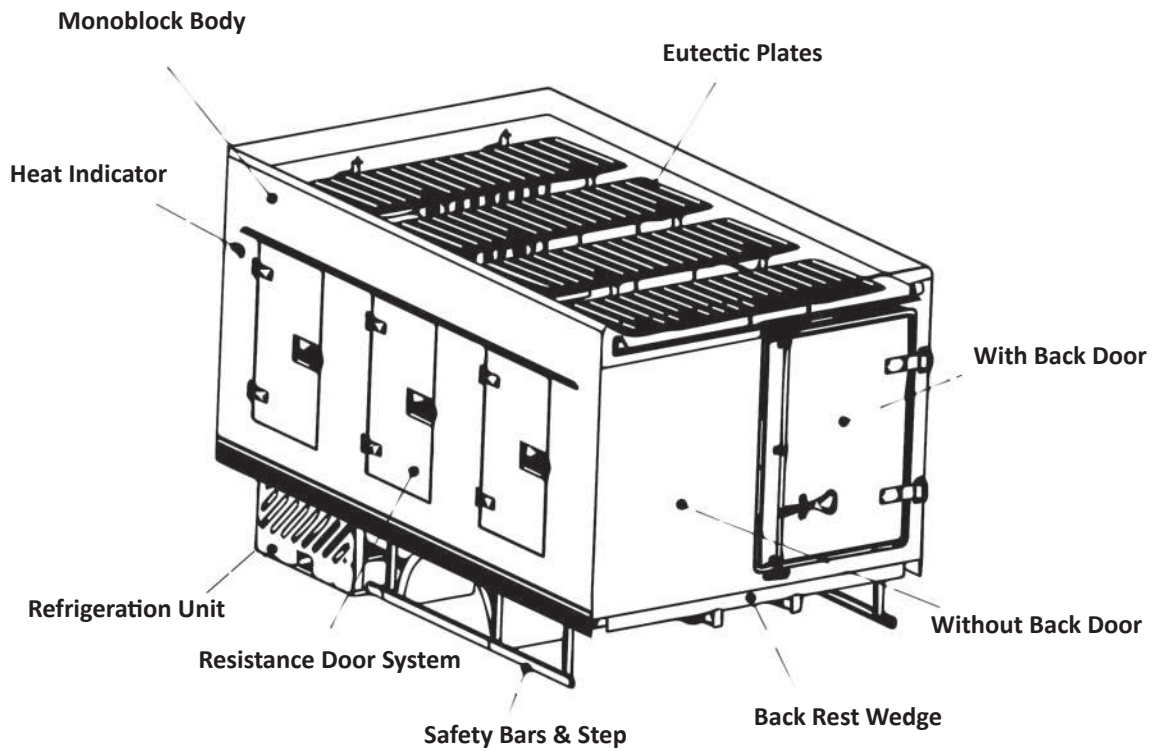


Eutectic Plate





ICE TRUCK
OTEKTİK



EUTECTICPLATE AND CONDENSED MOULD TECHNOLOGY

With the eutectic plate and condensed mould technology used in our systems, cold air is kept on the case for a longer time. In this way, the ambient temperature is maintained for a longer period of time, resulting in a significant saving in energy costs. The vehicle engine does not need to run during the day. Our systems contribute significantly to fuel and vehicle maintenance costs.

WITH SIDE DOORS AND EUTECTIC PLATES;

- ✓ More time, less staff
- ✓ More customers, less fuel
- ✓ More turnover, less cost



ICE TRUCK
OTEKTİK

3 + 3 DOORS EUTECTIC BODY



Body Sizes	3500x2100x1700 h mm
Wall Insulation Thickness	100 mm
Side Door	A total of 6 side doors, 3 on each side, measuring 550x1000 h, with heat resistance to prevent icing
Back Door	There is no back door
Refrigeration Unit	Semi-hermetic 3,8 Hp. 380V/50 Hz Dorin compressor. Three-stage refrigerant gas R404A. 5 eutectic plates with cooling capacity of 14.480 Watt (-33°C solution)
Accessories	Interior lights, plastic grille under the interior floor, steps under the side doors, water channels on the side doors, aluminium profile under the side doors, external thermometer, rear rubber pads, mudguards
Roll container	There is no basket inside the case. 6 aluminium curved internal compartments



Compressor

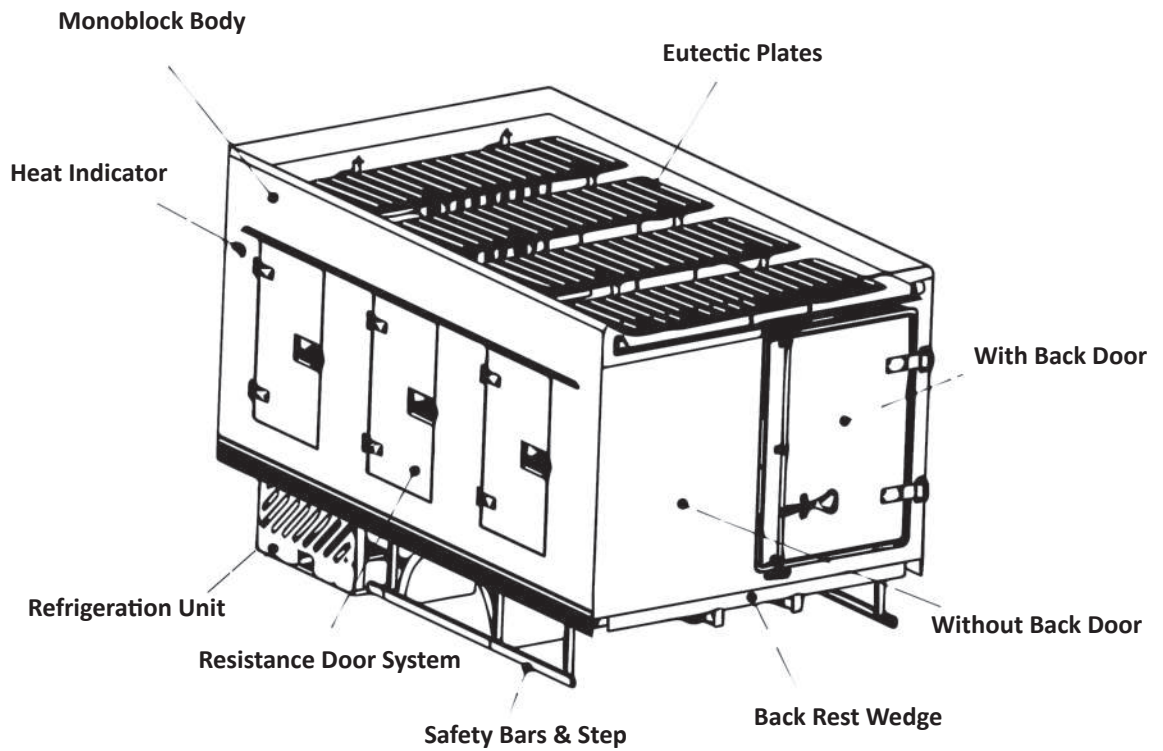


Eutectic Plate





ICE TRUCK
OTEKTİK



EUTECTICPLATE AND CONDENSED MOULD TECHNOLOGY

With the eutectic plate and condensed mould technology used in our systems, cold air is kept on the case for a longer time. In this way, the ambient temperature is maintained for a longer period of time, resulting in a significant saving in energy costs. The vehicle engine does not need to run during the day. Our systems contribute significantly to fuel and vehicle maintenance costs.

WITH SIDE DOORS AND EUTECTIC PLATES;

- ✓ More time, less staff
- ✓ More customers, less fuel
- ✓ More turnover, less cost



**ICE TRUCK
OTEKTİK**

Your Energy from the Sun, Utilization From Us



***With our Solar Panel System
Eutectic Bodies
We are ready to create
difference!***

With our solar panel unit, which generates all the energy required by the cooling case by itself, we eliminate the problem of constantly charging your vehicles in the evenings...

With the cutting edge technology,

We offer the best for you!



OUR DOCUMENTS

CERTIFICATE

Uluslararası Belgelendirme

CE UYGUNLUK BEYANI
CE DECLARATION OF CONFORMITY

ANADOLU ÖTEKTEK MÜHENDİSLİK SOĞUTMA SANAYİ VE TİCARET LİMİTED ŞİRKETİ
İKİTELLİHÖR MAH. MİLAS CAD. NO: 7-11 İÇ KAPI
NO: 85 BASAKŞEHİRCİ SANLI/ TÜRKİYE

MANUFACTURING OF INDUSTRIAL COOLER AND FREEZER EQUIPMENT WITH HEAT PUMPS WITH FRAME/BENCH OR FUNTURE TYPE COOLERS, COMPRESSOR UNITS WITH CONDENSERS WITHHEAT EXCHANGER FUNCTION, ETC.7

ANADOLU ÖTEKTEK

ISO 9001:2015

006316 BELCERT ULUSLARARASI BELGELENDİRME ŞİRKETİ
Mırtıp Bulvarı, No:45, Taksim Ağı, K1-D-7, Şişli, Beşiktaş/ İstanbul
Telefon: 0212 428 54 70 - E-mail: info@belcert.com

CERTIFICATE

Uluslararası Belgelendirme

ANADOLU ÖTEKTEK MÜHENDİSLİK SOĞUTMA SANAYİ VE TİCARET LİMİTED ŞİRKETİ
İKİTELLİHÖR MAH. MİLAS CAD. NO: 7-11 İÇ KAPI
NO: 85 BASAKŞEHİRCİ SANLI/ TÜRKİYE

MANUFACTURING OF INDUSTRIAL COOLER AND FREEZER EQUIPMENT AND HEAT PUMPS WITH FRAME/BENCH OR FUNTURE TYPE COOLERS, COMPRESSOR UNITS WITH CONDENSERS WITHHEAT EXCHANGER FUNCTION, ETC.7

ANADOLU ÖTEKTEK

ISO 14001:2015

006605 BELCERT ULUSLARARASI BELGELENDİRME ŞİRKETİ
Mırtıp Bulvarı, No:45, Taksim Ağı, K1-D-7, Şişli, Beşiktaş/ İstanbul
Telefon: 0212 428 54 70 - E-mail: info@belcert.com

CERTIFICATE

Uluslararası Belgelendirme

ANADOLU ÖTEKTEK MÜHENDİSLİK SOĞUTMA SANAYİ VE TİCARET LİMİTED ŞİRKETİ
İKİTELLİHÖR MAH. MİLAS CAD. NO: 7-11 İÇ KAPI
NO: 85 BASAKŞEHİRCİ SANLI/ TÜRKİYE

MANUFACTURING OF INDUSTRIAL COOLER AND FREEZER EQUIPMENT AND HEAT PUMPS WITH FRAME/BENCH OR FUNTURE TYPE COOLERS, COMPRESSOR UNITS WITH CONDENSERS WITHHEAT EXCHANGER FUNCTION, ETC.7

ANADOLU ÖTEKTEK

ISO 45001:2018

006607 BELCERT ULUSLARARASI BELGELENDİRME ŞİRKETİ
Mırtıp Bulvarı, No:45, Taksim Ağı, K1-D-7, Şişli, Beşiktaş/ İstanbul
Telefon: 0212 428 54 70 - E-mail: info@belcert.com

CERTIFICATE

Uluslararası Belgelendirme

ANADOLU ÖTEKTEK MÜHENDİSLİK SOĞUTMA SANAYİ VE TİCARET LİMİTED ŞİRKETİ
İKİTELLİHÖR MAH. MİLAS CAD. NO: 7-11 İÇ KAPI
NO: 85 BASAKŞEHİRCİ SANLI/ TÜRKİYE

MANUFACTURING OF INDUSTRIAL COOLER AND FREEZER EQUIPMENT AND HEAT PUMPS WITH FRAME/BENCH OR FUNTURE TYPE COOLERS, COMPRESSOR UNITS WITH CONDENSERS WITHHEAT EXCHANGER FUNCTION, ETC.7

ANADOLU ÖTEKTEK

KALİTE YÖNETİM SİSTEMİ
QUALITY MANAGEMENT SYSTEM

ISO 9001:2015

006605 BELCERT ULUSLARARASI BELGELENDİRME ŞİRKETİ
Mırtıp Bulvarı, No:45, Taksim Ağı, K1-D-7, Şişli, Beşiktaş/ İstanbul
Telefon: 0212 428 54 70 - E-mail: info@belcert.com

CERTIFICATE

Uluslararası Belgelendirme

ANADOLU ÖTEKTEK MÜHENDİSLİK SOĞUTMA SANAYİ VE TİCARET LİMİTED ŞİRKETİ
İKİTELLİHÖR MAH. MİLAS CAD. NO: 7-11 İÇ KAPI
NO: 85 BASAKŞEHİRCİ SANLI/ TÜRKİYE

"Müşteri Memnuniyeti ve Şikâyetleri Yönetim Sistemi"
"Customer Satisfaction and Complaints Management System"

(ISO 10002:2018)

006604 BELCERT ULUSLARARASI BELGELENDİRME ŞİRKETİ
Mırtıp Bulvarı, No:45, Taksim Ağı, K1-D-7, Şişli, Beşiktaş/ İstanbul
Telefon: 0212 428 54 70 - E-mail: info@belcert.com

**ANADOLU ÖTEKTİK MÜHENDİSLİK SOĞUTMA
SANAYİ VE TİCARET LTD. STİ.**

Addresses

CENTER :

İKİTELLİ OSB MAH. MILAS CADDESİ
TEM 34 EKSPRESS, NO:7-11
KAPI NO: 84-85 . KAT:3
Basaksehir / **İSTANBUL / TÜRKİYE**

TEL : +90 212 452 00 02

FACTORY:

VARSAK SANAYİ SİTESİ
ALTIYAYAK MAH. 8525 SOKAK 22/1
BLOK NO:9
Kepez / **ANTALYA / TÜRKİYE**



+90 545 2094224



cengiz.olcay@anadoluotektik.com

ANADOLU
ÖTEKTİK MÜHENDİSLİK SOĞUTMA

EYM
KOMPRESÖR



ICE TRUCK
ÖTEKTİK

► www.anadoluotektik.com

► www.eymkompresor.com

► www.icetruckotektik.com